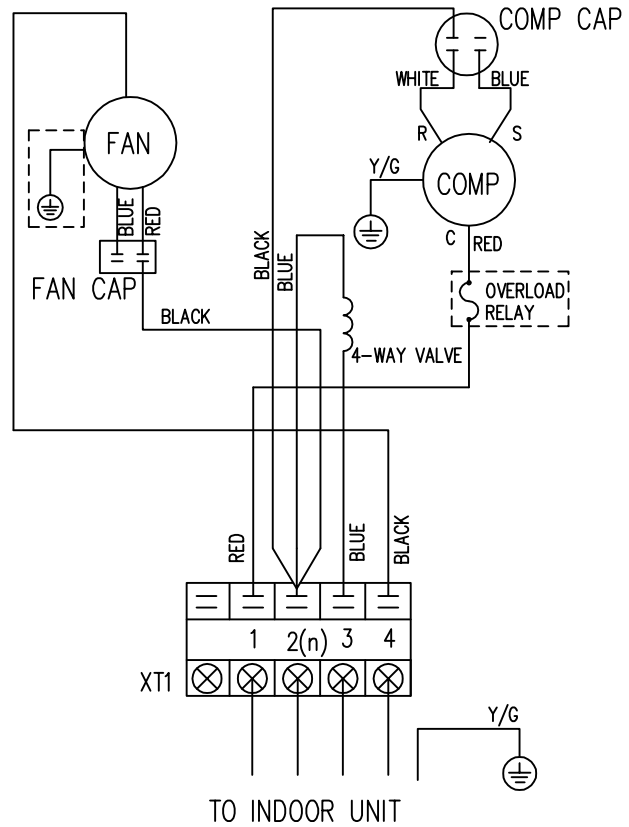
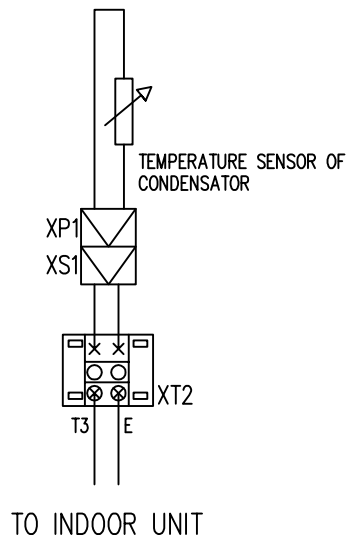


Condensing unit	AOU
	Model AOU-35HPR1
ELECTRICAL DRAWING	
20.08.2011	<i>AlpicAir</i>



WIRING DIAGRAM (OUTDOOR UNIT)

CODE	PART NAME
COMP	COMPRESSOR
COM CAP	COMPRESSOR CAPACITOR
FAN CAP	OUTDOOR FAN CAPACITOR
FAN	OUTDOOR FAN
XP1,XS1	CONNECTORS