

# *AlpicAir*

## **AIR CONDITIONER DIMENSIONS AND ELECTRICAL DRAWINGS**

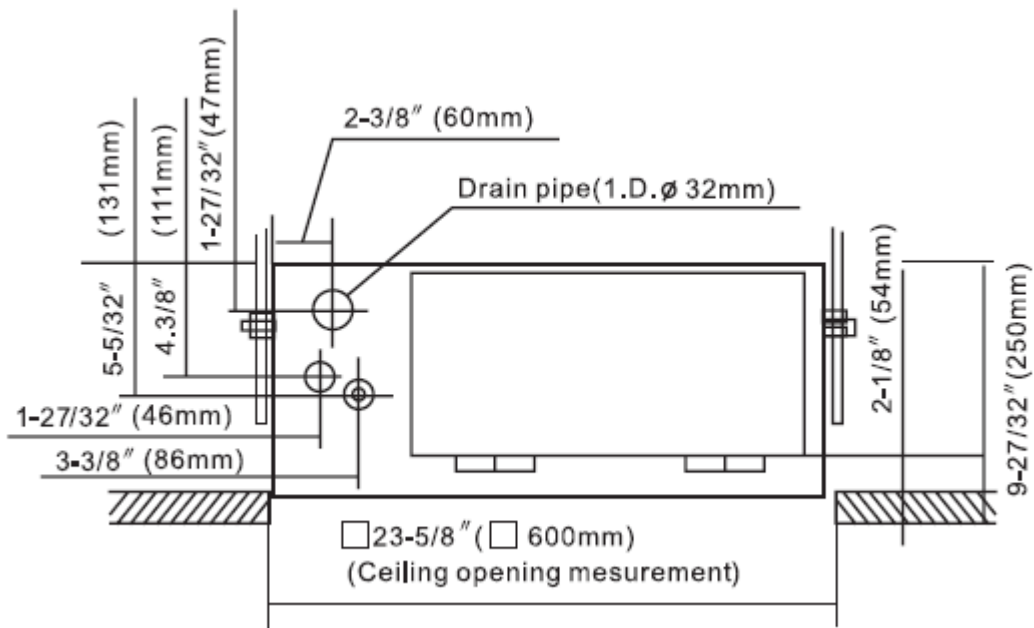
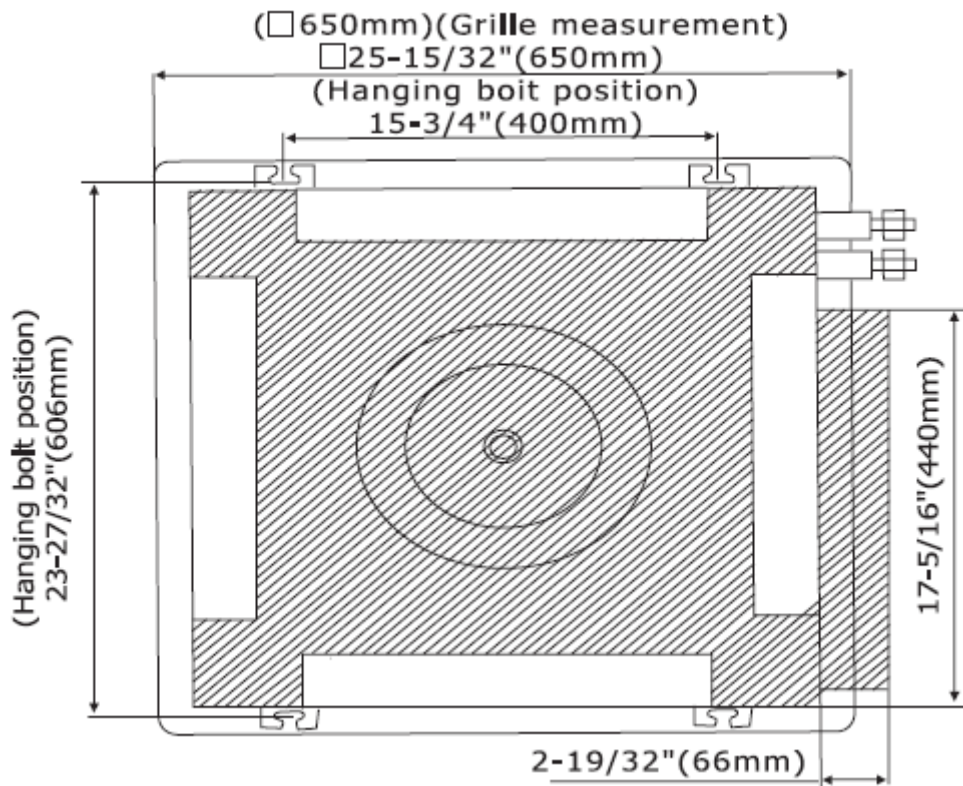
ACMI-35HPDC1  
ACMI-50HPDC1



UNIT DIMENSIONS

ACMI-35HPDC1

ACMI-50HPDC1



# ELECTRICAL DRAWING

ACMI-35HPDC1

ACMI-50HPDC1

