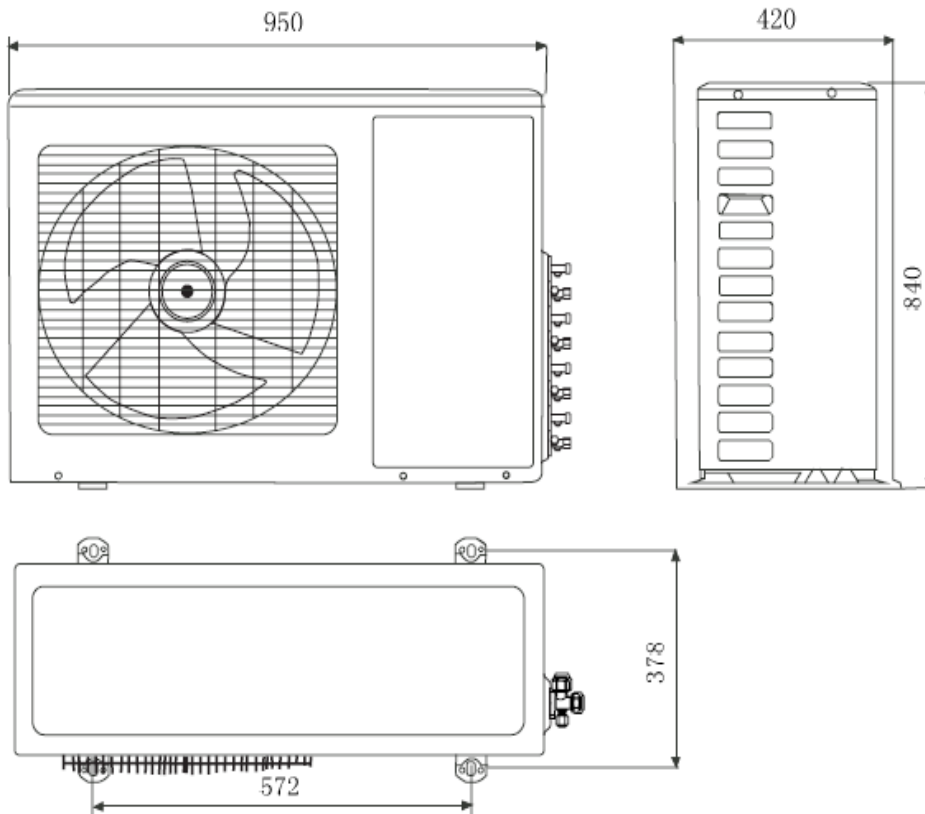


Free Match multi split *INVERTER* type outdoor unit

Technical data

UNIT MODEL (for 2-4 indoor unit)

		AM40-80HPDC1																																							
		230/1/50		V/ph/Hz																																					
		Cooling mode	Heating mode																																						
Capacity		8000 (2700-10000)	9300 (2800-11000)	W																																					
Power input		2480 (1000-4700)	2550 (1000-4000)	W																																					
Rated current		15.9	15.9	A																																					
Eficiency (EER/COP)		3.23	3.65																																						
Refrigerant		R410a (3300 g)																																							
Sound Power (Lw) / Pressure (Lp)		69/60		dB(A)																																					
Compressor type		rotary																																							
Compressor model		C-7RZ233H1A (SANYO)																																							
Fan type		Axial 1-fan																																							
Fan motor power		60		W																																					
Net dimensions	LxHxD	950x840x420		mm																																					
Packing dimensions	LxHxD	1100x905x450		mm																																					
Connection holes dimensions	L1xD1	572x378		mm	Weight	brutto/neto	80/75		kg	Pipe connections	liquid/gas	4 x 1/4 - 3/8 (+3 x crossover 3/8-1/2)		inch	Electrical connections	indoor&outdoor	4 x (4 x 1.5)		mm ²	power to outdoor	3 x 4.0		mm ²	Working conditions	summer	-7 - +43		C	winter	-15 - +20		C	Max piping lenght	horizontal	20		C	vertical	8		m
Weight	brutto/neto	80/75		kg																																					
Pipe connections	liquid/gas	4 x 1/4 - 3/8 (+3 x crossover 3/8-1/2)		inch																																					
Electrical connections	indoor&outdoor	4 x (4 x 1.5)		mm ²																																					
	power to outdoor	3 x 4.0		mm ²																																					
Working conditions	summer	-7 - +43		C																																					
	winter	-15 - +20		C																																					
Max piping lenght	horizontal	20		C																																					
	vertical	8		m																																					



AM40-80HPDC1