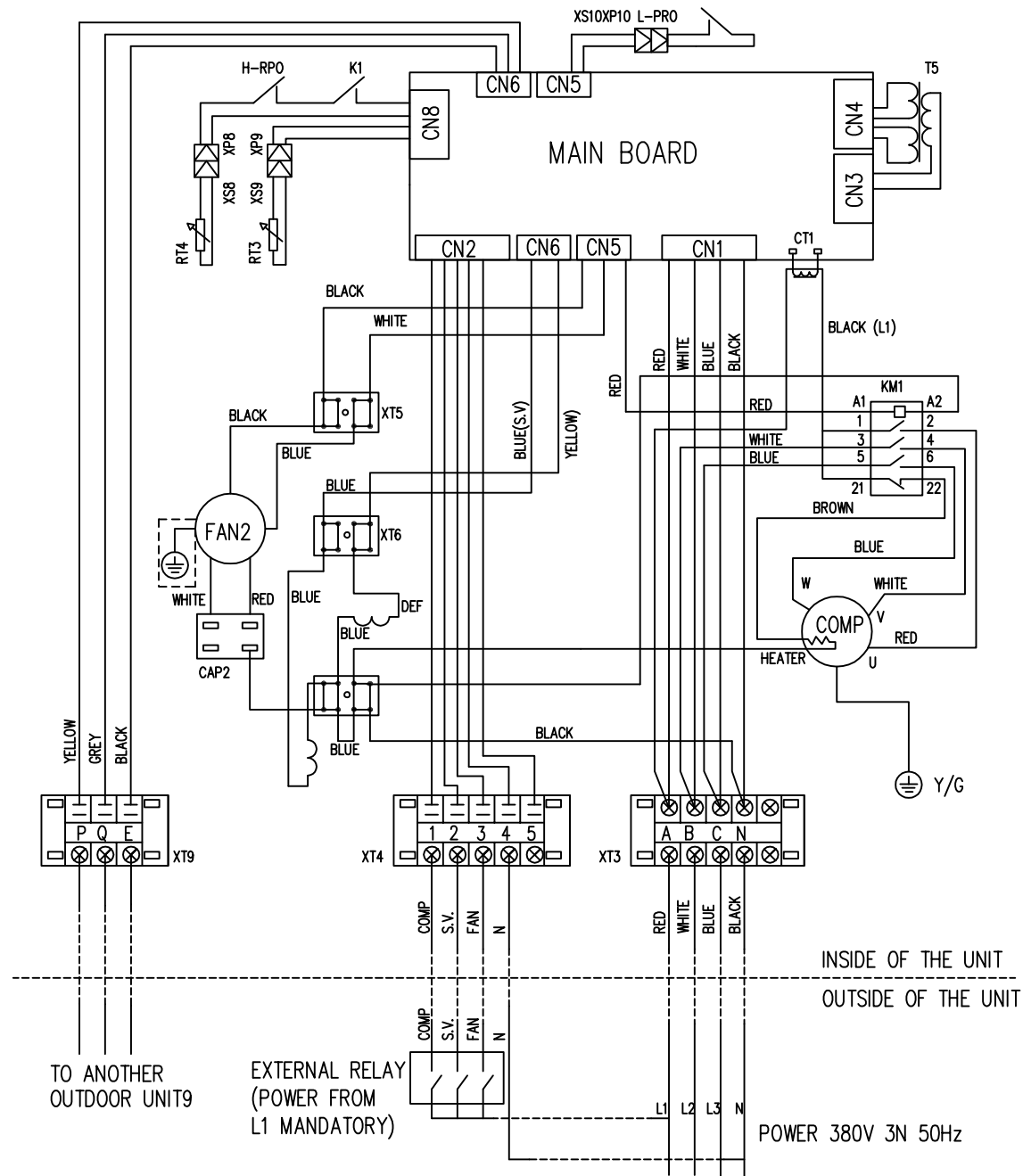


Condensing unit	AOU
	Model AOU-300CLR3
ELECTRICAL DRAWING	20.08.2011
	<i>AlpicAir</i>



WIRING DIAGRAM (OUTDOOR UNIT)

CODE	PART NAME
COMP	COMPRESSOR
FAN2	OUTDOOR FAN
CAP2	FAN CAPACITOR
S.V.	4-WAY VALVE
KM1	AC CONTACTOR
HEATER	CRANK
XT3	5-WAY TERMINAL
XT5-7	MIDDLE TERMINAL
H-PRO	HIGH PRESSURE SWITCH
RT3	PIPE TEMP. SENSOR
XS 8-9	CONNECTORS
XP 8-9	CONNECTORS
CN1-10	PCB SOCKETS
K1	TEMP PROTECT SWITCH
RT4	ROOM TEMPERATURE SENSOR
XT4	5-WAY TERMINAL
T5	TRANSFORMER
CT1	CURRENT INDUCTOR
C1-3	COLLATERAL CAPACITOR
DEF	DEFROSTING VALVE
H-PRO	HIGH PRESSURE SWITCH