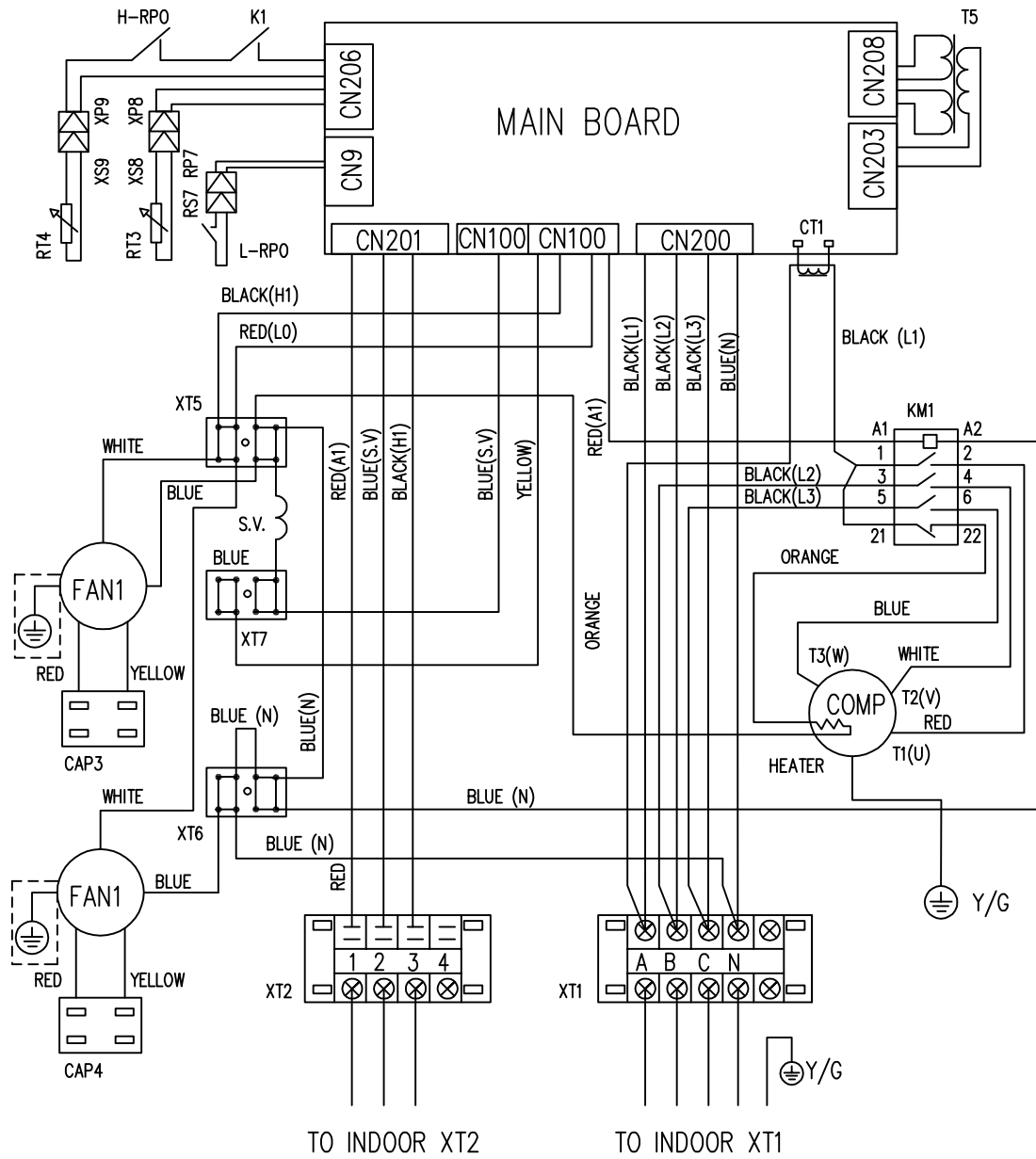


Condensing unit	AOU
	Model AOU-140HPSS
ELECTRICAL DRAWING	20.08.2011
	<i>AlpicAir</i>



## WIRING DIAGRAM (OUTDOOR UNIT)

CODE	PART NAME
COMP	COMPRESSOR
FAN1,FAN2	OUTDOOR FAN
CAP3,CAP4	FAN CAPACITOR
S.V.	4-WAY VALVE
KM1	AC CONTACTOR
HEATER	CRANK
XT2	4-WAY TERMINAL
XT5-7	CONNECTORS
H/L-PRO	HIGH/LOW PRESSURE SWITCH
RT3	PIPE TEMP. SENSOR
XS 7-9	CONNECTORS
XP 7-9	CONNECTORS
CN100-208	PCB SOCKETS
K1	TEMP PROTECT SWITCH
RT4	ROOM TEMPERATURE SENSOR
XT1	5-WAY TERMINAL
T5	TRANSFORMER
CT1	CURRENT DETECTOR