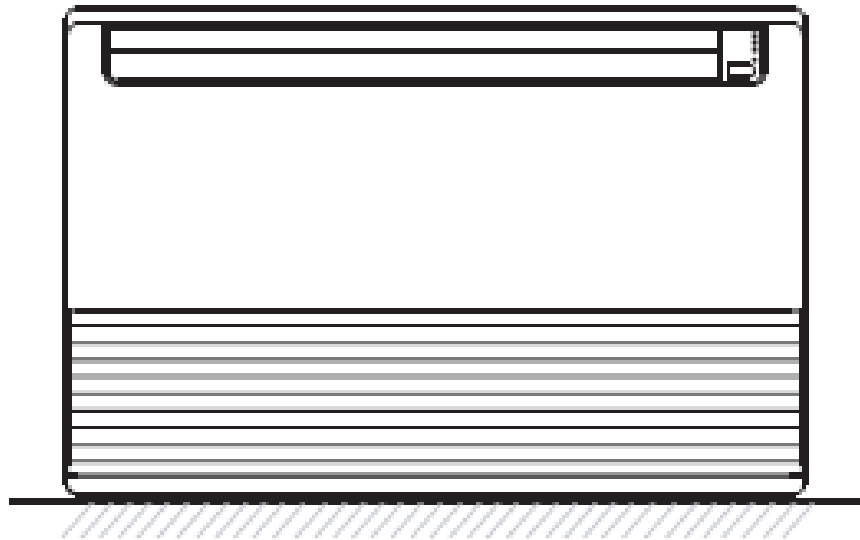


*AlpicAir*

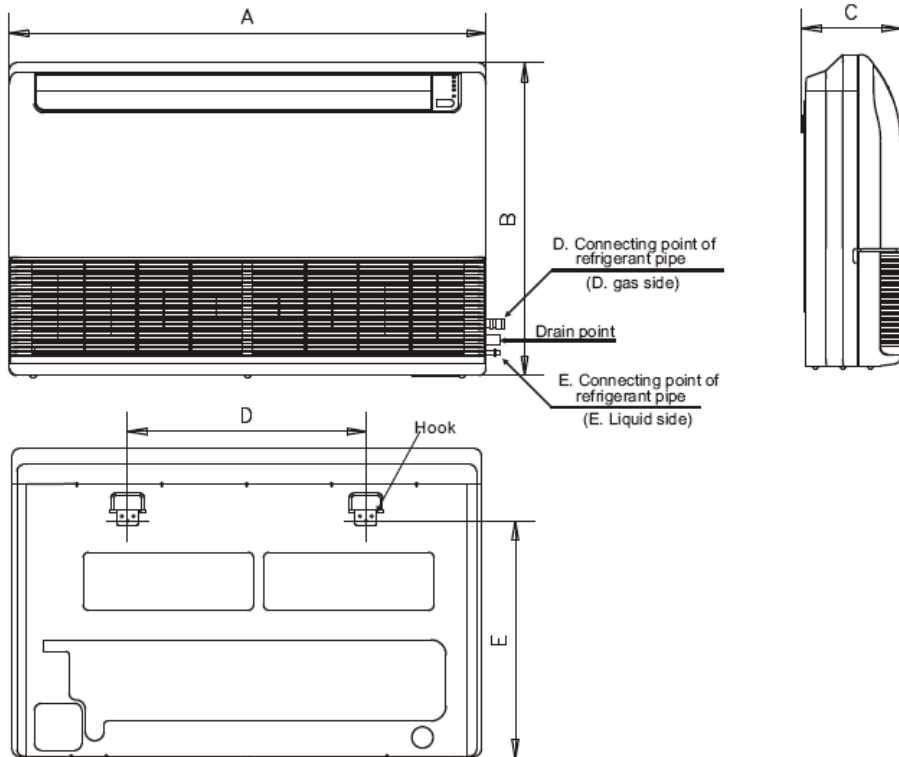
**AIR CONDITIONER  
DIMENSIONS AND  
ELECTRICAL DRAWINGS**

AFI/O-180HPS3

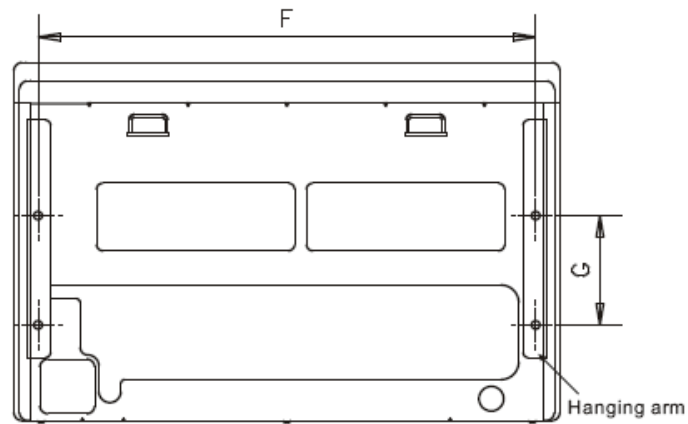


# INDOOR UNIT DIMENSIONS

## AFI-180HPS3

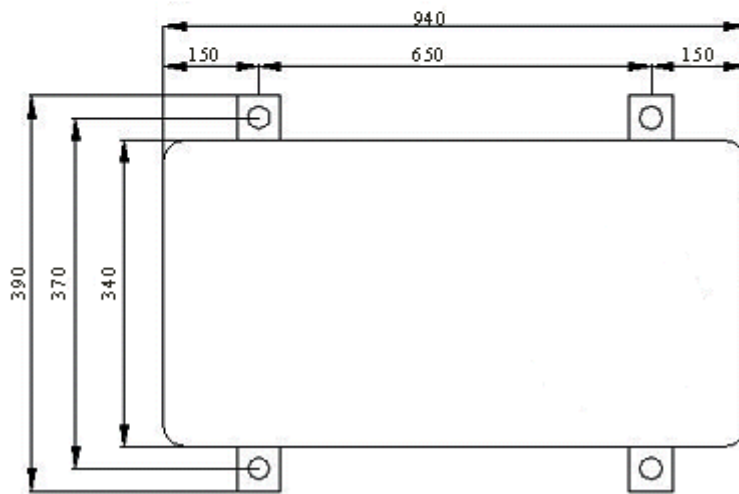
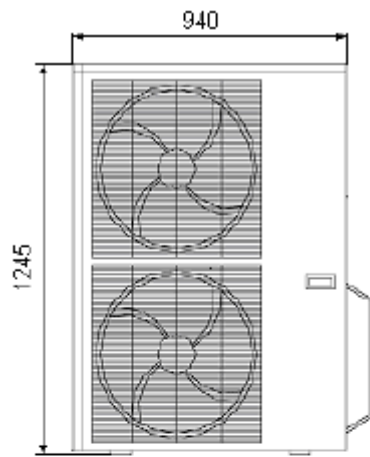


### Ceiling Installation



Capacity (Btu/h)	A	B	C	D	E	F	G	H
5000-7100W	990	660	206	505	506	907	200	203
10000W	1280	660	206	795	506	1195	200	203
14000-18000W	1670	680	244	1070	450	1542	200	240

OUTDOOR UNIT DIMENSIONS  
AFO-180HPS3



# ELECTRICAL DRAWING

AFI/O-105HPS3

