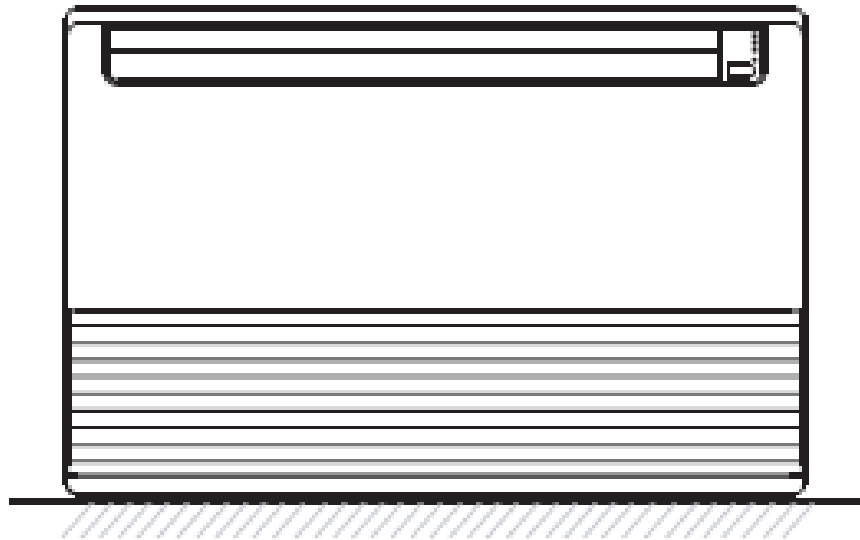


AlpicAir

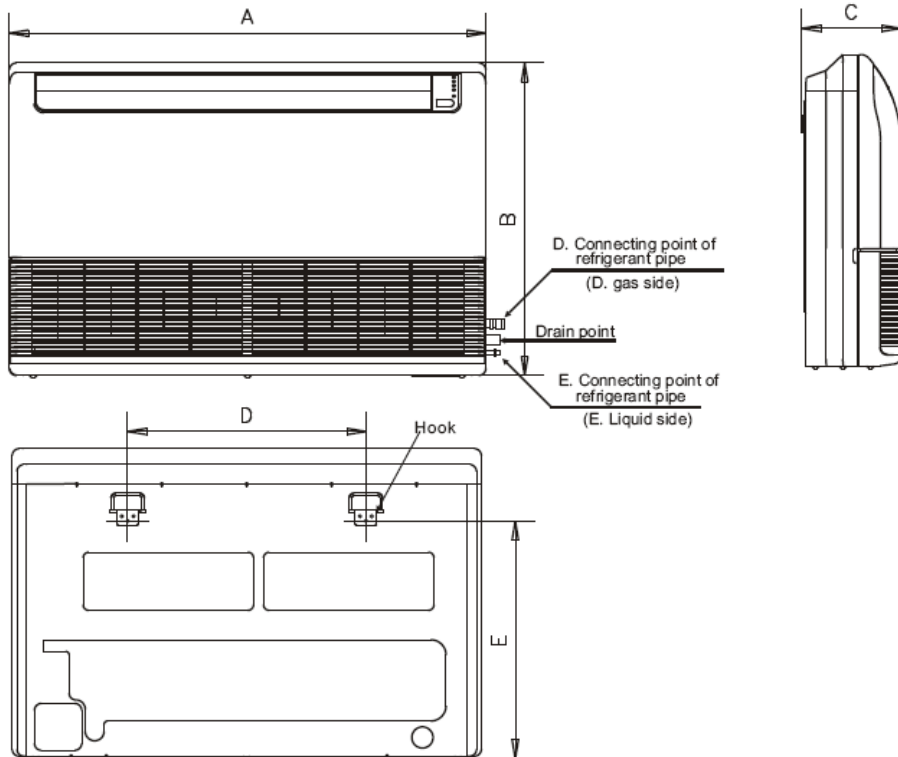
**AIR CONDITIONER
DIMENSIONS AND
ELECTRICAL DRAWINGS**

AFI/O-105HPS3

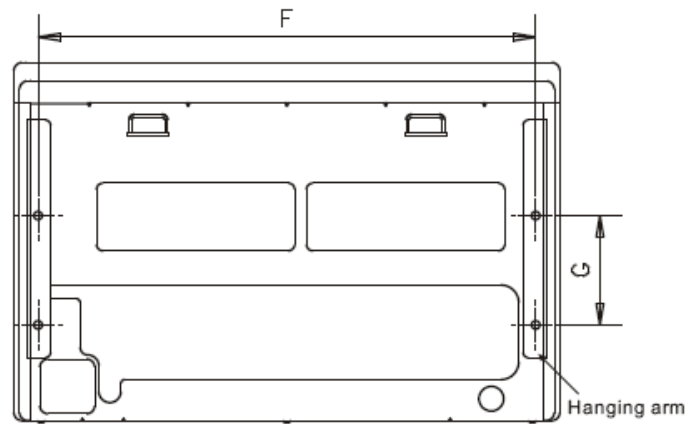


INDOOR UNIT DIMENSIONS

AFI-105HPS3



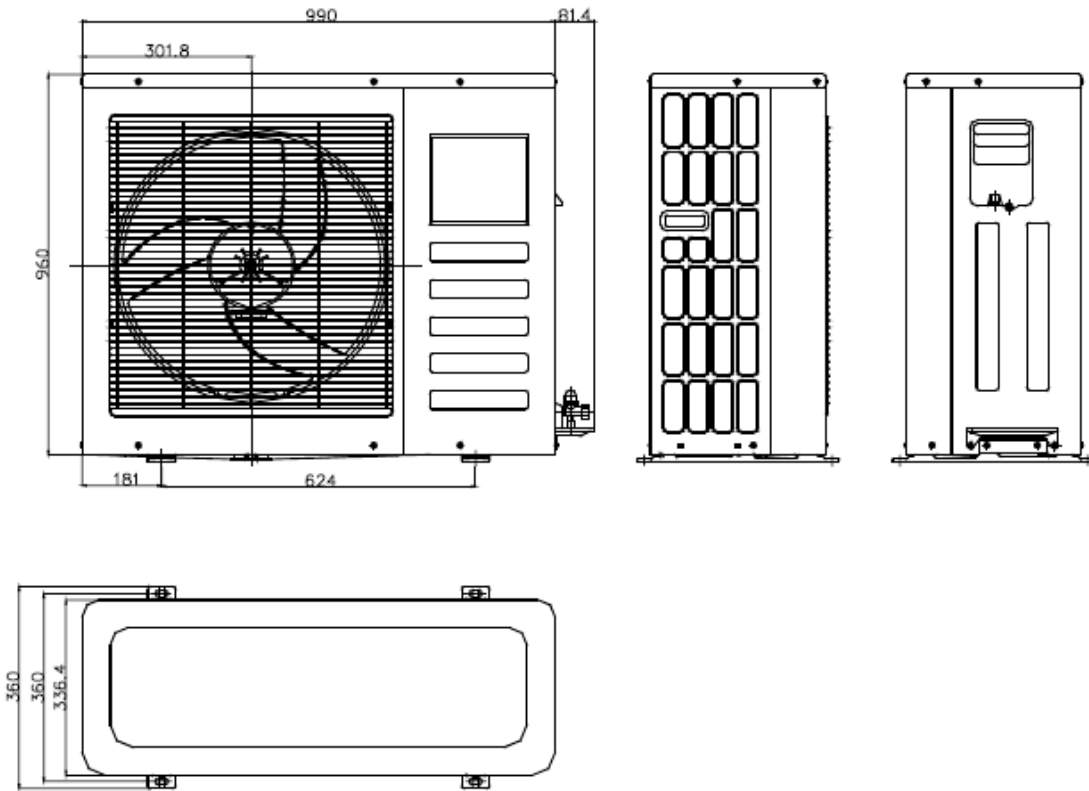
Ceiling Installation



| Capacity (Btu/h) | A | B | C | D | E | F | G | H |
|------------------|------|-----|-----|------|-----|------|-----|-----|
| 5000-7100W | 990 | 660 | 206 | 505 | 506 | 907 | 200 | 203 |
| 10000W | 1280 | 660 | 206 | 795 | 506 | 1195 | 200 | 203 |
| 14000-18000W | 1670 | 680 | 244 | 1070 | 450 | 1542 | 200 | 240 |

OUTDOOR UNIT DIMENSIONS

AFO-105HPS3



ELECTRICAL DRAWING

AFI/O-105HPS3

