

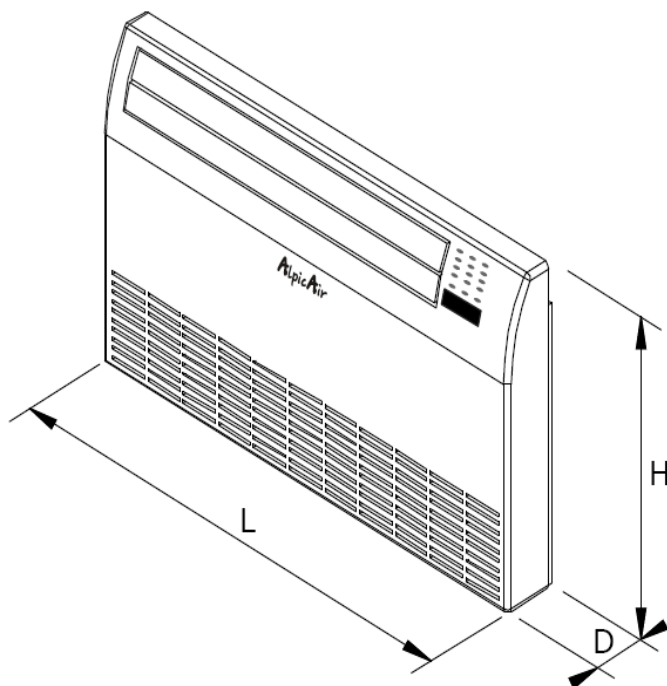
Ceiling/floor type split air conditioner

Indoor unit technical data

MODEL	AFI-105HPS3		
Power consumption	380/3/50		V/ph/Hz
	Cooling mode	Heating mode	
Capacity	10550	11720	W
Power input	3740	4290	W
Max input current	10.0		A
Eficiency (EER/COP)	2.81	2.80	
Refrigerant	R410a (2900 g)		
Ventilator model	YSK80-4A		
Ventilator brand	Welling		
Ventilator air flow	Hi/Med/Low	1400/1200/1000	m ³ /h
Ventilator power		143/122/110	W
Sound Pressure (Lp)	Hi/Med/Low	45/43/40	dB(A)
Net dimensions	LxHxD	1280x660x203	mm
Packing dimensions	LxHxD	1379x744x296	mm
Weight	brutto/neto	40/35	kg
Pipe connections	liquid/gas	1/2 - 3/4	inch
	indoor condensate	25	mm
Piping distance	max lenght	25	m
	max diff level	15	m
	indoor&outdoor	5 x 4.0	mm ²
Electrical connections	indoor & outdoor signal	2 x 1.5	mm ²
	power to indoor	3 x 4.0	mm ²

Outdoor unit model to be used

AOU-105HPS3



AFI-105HPS3