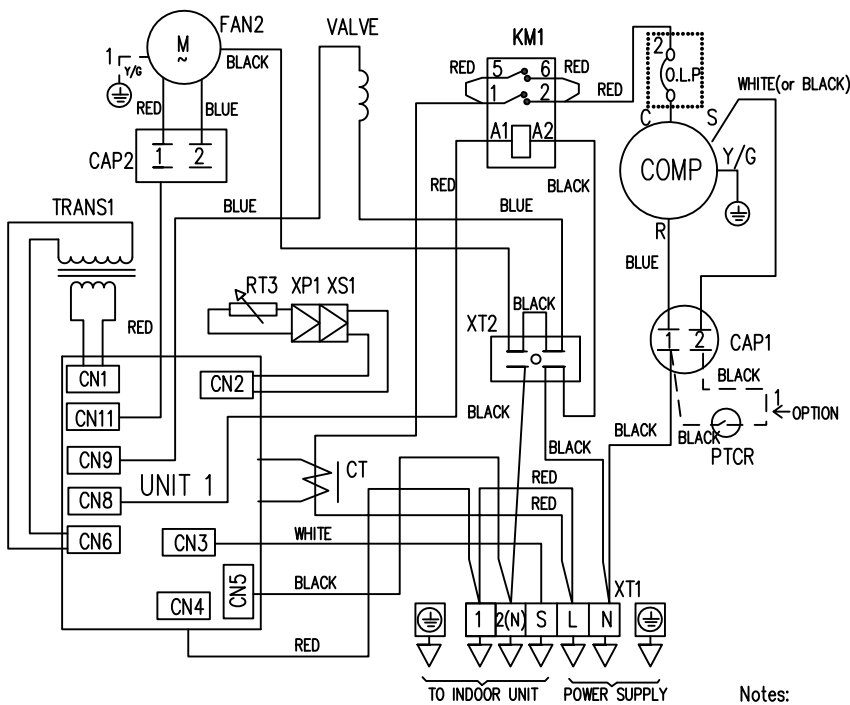


WIRING DIAGRAM (INDOOR UNIT)

CODE	PART NAME
UNIT1	MAIN CONTROL PCB
UNIT2	DISPLAY PCB
FAN1	INDOOR FAN
CAP1	FAN CAPACITOR
SWING	SWING MOTOR
TRANS1	TRANSFORMER
RT1	ROOM TEMPERATURE SENSOR
RT2	PIPE TEMPERATURE SENSOR
XT1	5-WAY TERMINAL
CN1-CN11	PCB SOCKETS
XP2, XS2	CONNECTORS



WIRING DIAGRAM (OUTDOOR UNIT)

CODE	PART NAME
UNIT1	OUTDOOR CONTROL PCB
COMP	COMPRESSOR
CAP1	COMPRESSOR RUN CAPACITOR
CAP2	OUTDOOR FAN CAPACITOR
FAN2	OUTDOOR FAN
XT1	TERMINAL
XT2	MIDDLE TERMINAL
XP1, XS1	CONNECTORS
RT3	PIPE TEMPERATURE SENSOR
KM1	AC CONTACTOR
CT	CURRENT INDUCTOR
TRANS1	TRANSFORMER
CN1-CN11	PCB SOCKETS
VALVE	REVERSING VALVE
PTCR	PTCR STARTER

Notes:
 Symbol 1 indicates the element is optional, the actual shape shall prevail.

Symbol 2 indicates compressor internal or external components.

AWI/AWO	Model AWI/AWO-71HPR1	AlpicAir
Wall mounted split R410a	ELECTRICAL DRAWING	15.07.2011