

Wall mounted split R410a

AWE-0101201054

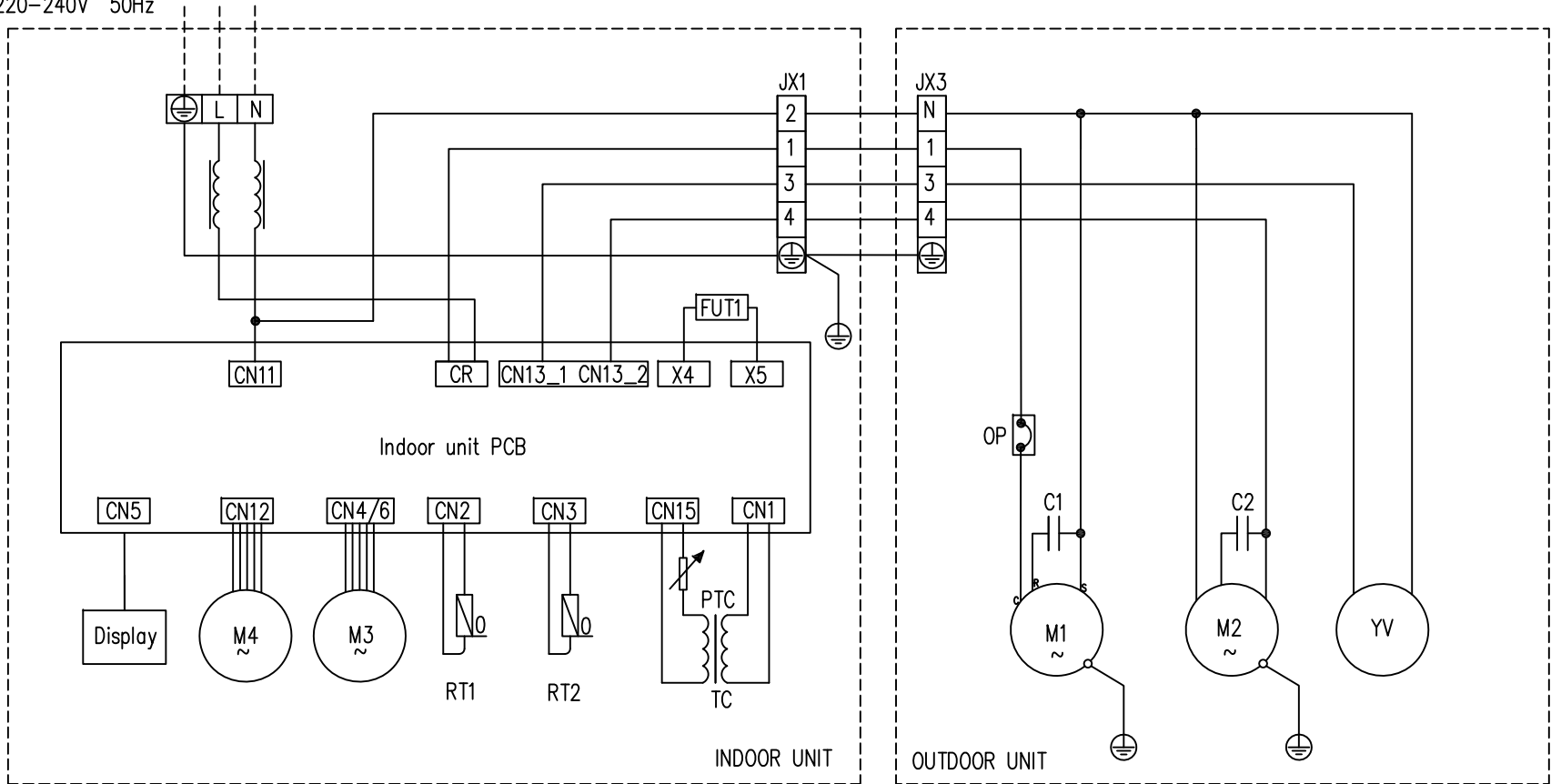
ELECTRICAL DRAWING

Model
AW/AWO-54HPR1 Gamma

01.02.2010

AlpicAir

Power Source
1 Phase
220-240V 50Hz



Meaning of marks

Symbol	Parts name	Symbol	Parts name	Symbol	Parts name
CR	Compressor relay	RT2	Pipe temp sensor	JX1,3	Wire plug
M1	Compressor	TC	Transformer	FUT1	Fuse
M2	Outdoor unit fan motor	YV	4-way valve	M4	Swing motor
M3	Indoor unit fan motor	C1	Compressor capacitor	OP	Overload protection
RT1	Room temp sensor	C2	Fan motor capacitor		