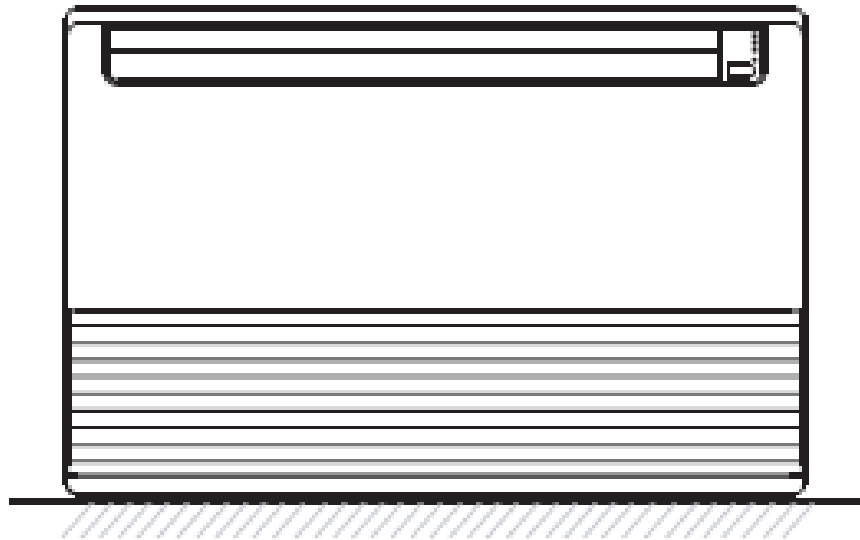


*AlpicAir*

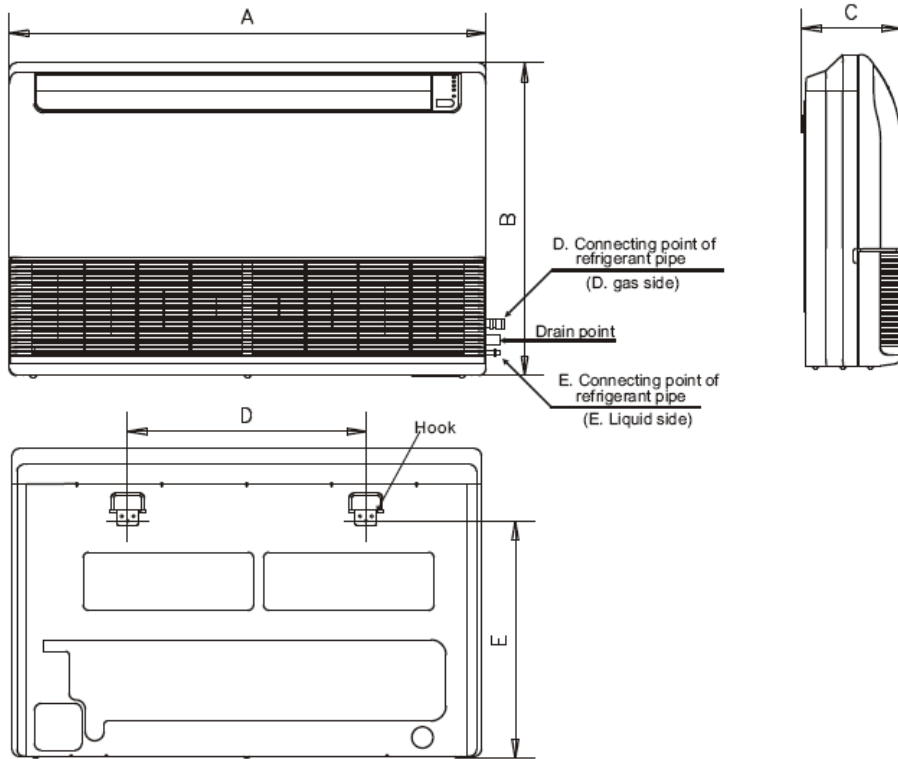
**AIR CONDITIONER  
DIMENSIONS AND  
ELECTRICAL DRAWINGS**

AFI/O-53HPR1

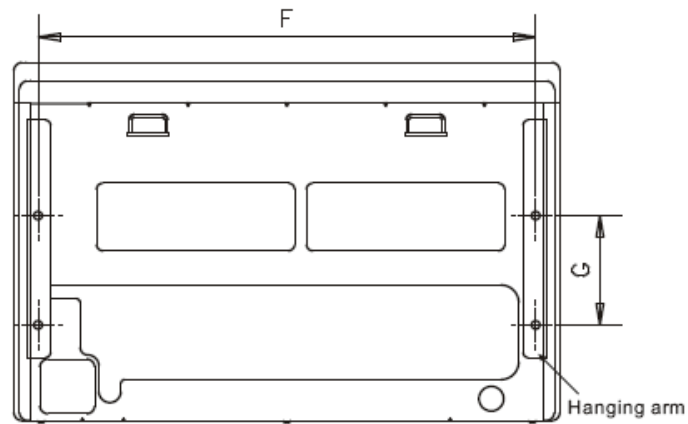


# INDOOR UNIT DIMENSIONS

AFI-53HPR1



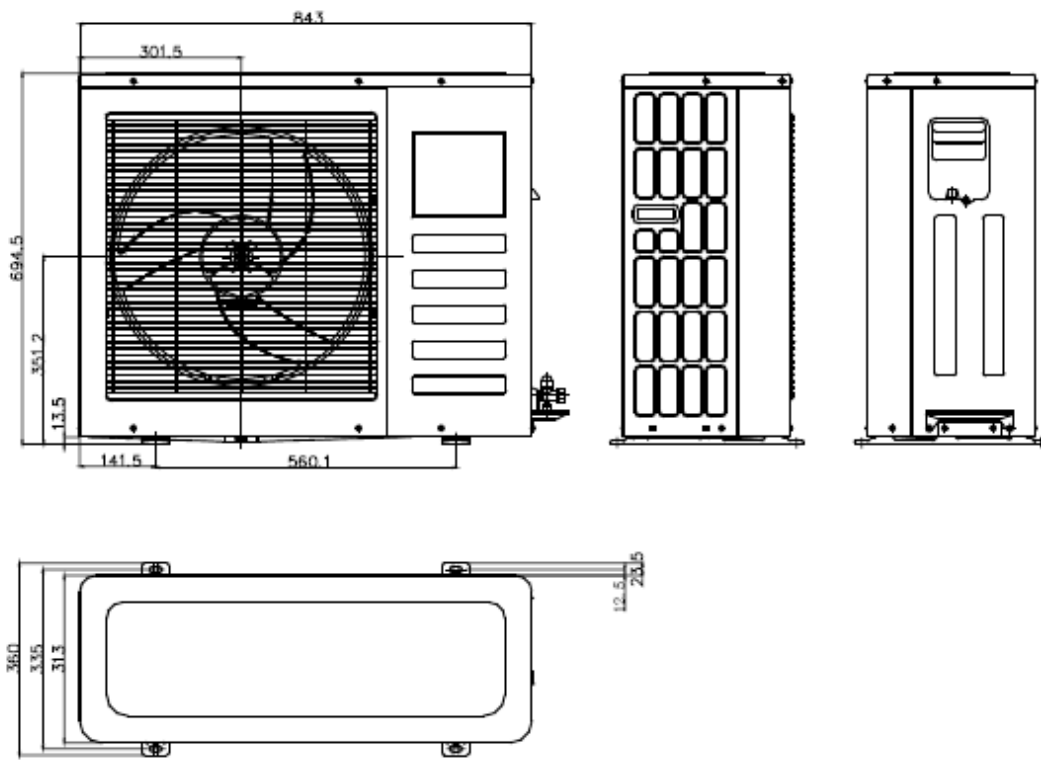
## Ceiling Installation



Capacity (Btu/h)	A	B	C	D	E	F	G	H
5000-7100W	990	660	206	505	506	907	200	203

# OUTDOOR UNIT DIMENSIONS

## AFO-53HPR1



# ELECTRICAL DRAWING

AFI/O-53HPR1

