

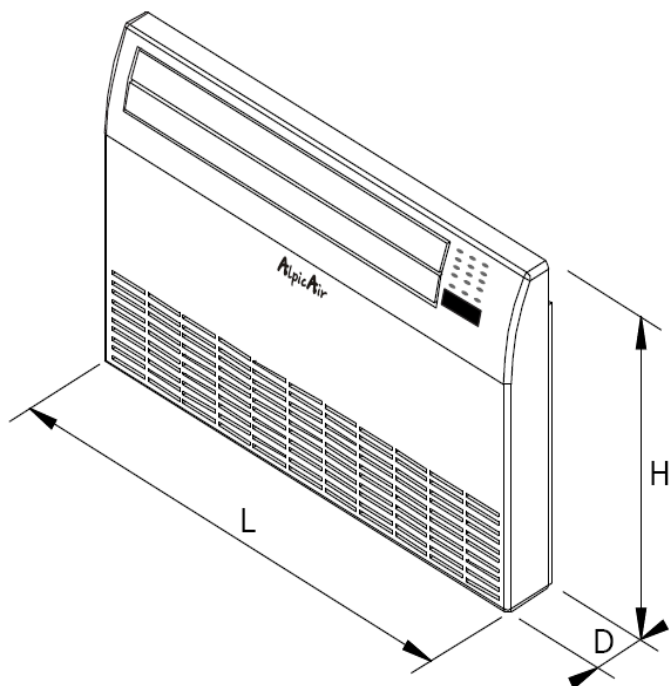
Ceiling/floor type split air conditioner

Indoor unit technical data

MODEL	AFI-53HPR1		
Power consumption	230/1/50		V/ph/Hz
	Cooling mode	Heating mode	
Capacity	5280	5860	W
Power input	1830	1880	W
Max input current	15.0		A
Eficiency (EER/COP)	2.89	3.19	
Refrigerant	R410a (1400 g)		
Ventilator model	YSK55-4L		
Ventilator brand	Welling		
Ventilator air flow	Hi/Med/Low	800/600/500	m3/h
Ventilator power		125/105/85	W
Sound Pressure (Lp)	Hi/Med/Low	43/41/38	dB(A)
Net dimensions	LxHxD	990x660x203	mm
Packing dimensions	LxHxD	1090x745x297	mm
Weight	brutto/neto	32/26	kg
Pipe connections	liquid/gas	1/4 - 1/2	inch
	indoor condensate	25	mm
Piping distance	max lenght	25	m
	max diff level	15	m
	indoor&outdoor	5 x 2.5	mm2
Electrical connections	indoor & outdoor signal	2 x 0.5	mm2
	power to indoor	3 x 2.5	mm2

Outdoor unit model to be used

AOU-53HPR1



AFI-53HPR1