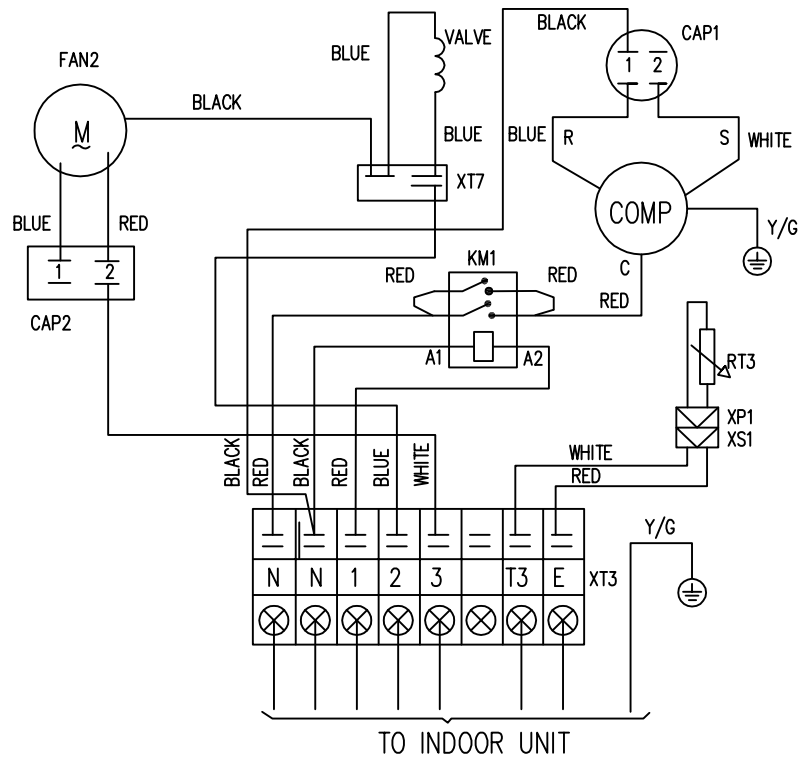


Condensing unit	AOU
	Model AOU-71HPR1
ELECTRICAL DRAWING	20.08.2011
	<i>AlpicAir</i>



## WIRING DIAGRAM (OUTDOOR UNIT)

CODE	PART NAME
COMP	COMPRESSOR
CAP1	COMPRESSOR CAPACITOR
CAP2	OUTDOOR FAN CAPACITOR
FAN2	OUTDOOR FAN
XP1,XS1	CONNECTORS
XT3	8-WAY TERMINAL
XT7	MIDDLE TERMINAL
VALVE	REVERSING VALVE
RT3	PPE TEMPERATURE SENSOR
KM1	AC CONTACTOR