

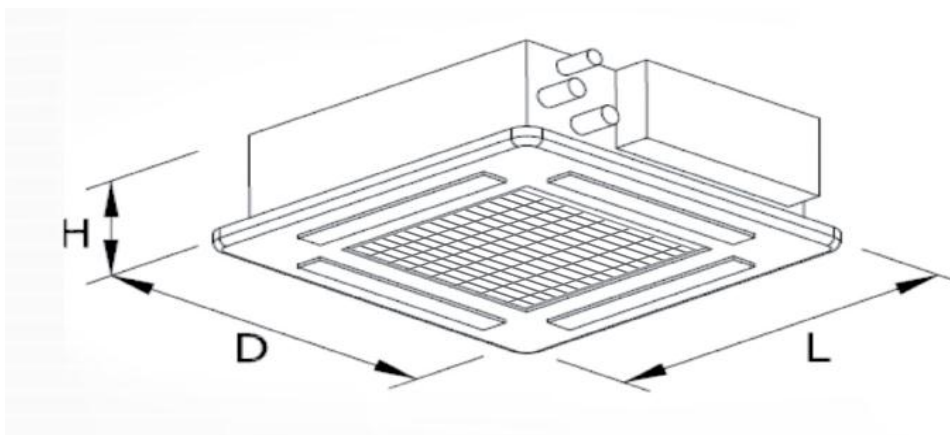
Cassette type split air conditioner

Indoor unit technical data

MODEL		ACI-35HPR1		
Power consumption		230/1/50		V/ph/Hz
Capacity		Cooling mode	Heating mode	W
Power input		3520	3810	W
Max input current		1090	1240	W
Eficiency (EER/COP)		7.0		A
Refrigerant		2.95	2.89	
Ventilator model		R410a (1120 g)		
Ventilator brand		YDK15-6P		
Ventilator air flow	Hi/Med/Low	Welling		
Ventilator power		680/600/400		m3/h
Sound Pressure (Lp)	Hi/Med/Low	38/32/26		W
Net dimensions Body	LxHxD	41/38/35		dB(A)
Net dimensions Panel	LxHxD	570x260x570		mm
Packing dimensions Body	LxHxD	647x50x647		mm
Packing dimensions Panel	LxHxD	655x290x655		mm
Weight Body	brutto/neto	705x113x705		mm
Weight panel	brutto/neto	19/16		kg
Pipe connections	liquid/gas	5.0/3.0		kg
Piping distance	indoor condensate	1/4 - 1/2		inch
Electrical connections	indoor & outdoor signal	25		mm
	power to indoor	15		m
		8		m
		5 x 1.5		mm2
		2 x 0.5		mm2
		3 x 2.5		mm2

Outdoor unit model to been used

AOU-35HPR1



ACI-35HPR1