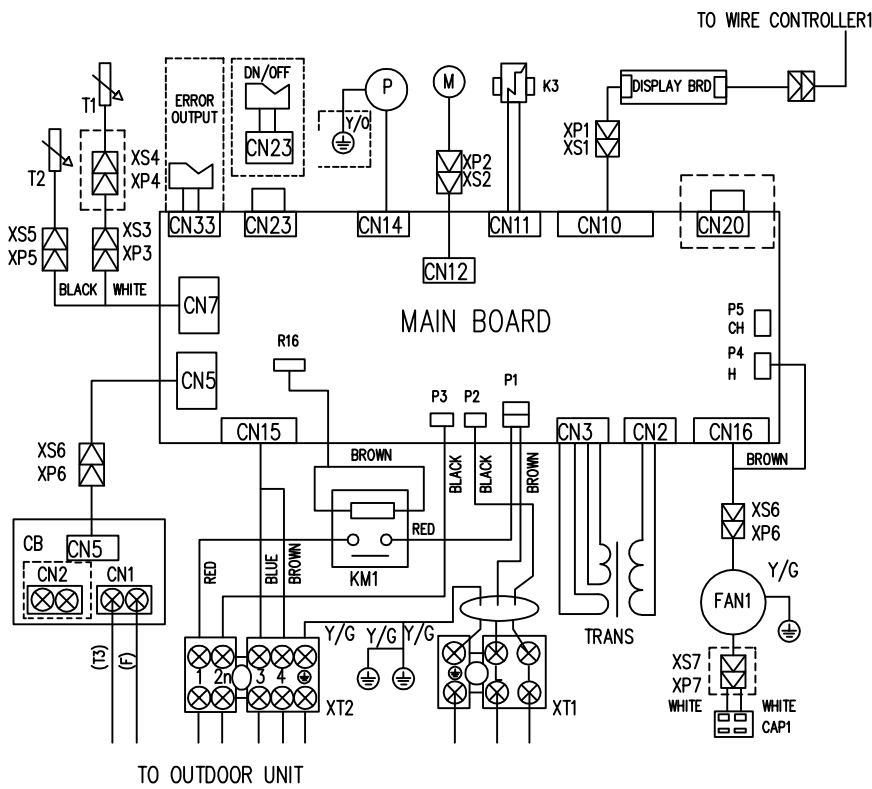
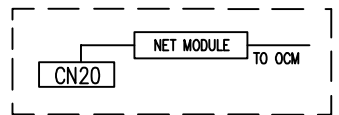


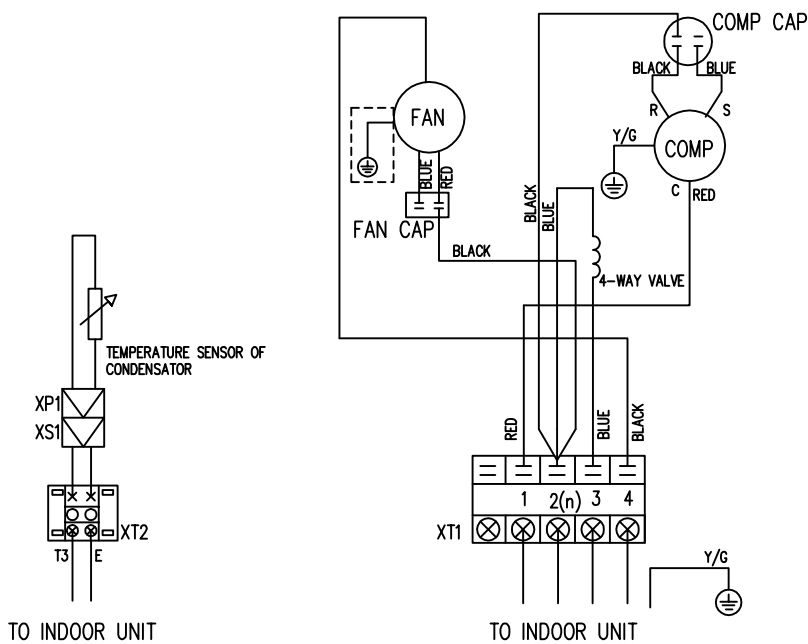
## WIRING DIAGRAM (INDOOR UNIT)



CODE	PART NAME
CAP1	FAN CAPACITOR
CN1-CN11	PCB SOCKETS
P1-8	PCB SOCKETS
TRANS	POWER TRANSFORMER
FAN1	INDOOR FAN
K3	WATER LEVEL SWITCH
M	SWING MOTOR
P	PUMP
T1	ROOM TEMPERATURE SENSOR
T2	PIPE TEMPERATURE SENSOR
XP 1-7	CONNECTORS
XS 1-7	CONNECTORS
XT 1-2	3-WAY TERMINAL
CB	CONNECT PCB



## WIRING DIAGRAM (OUTDOOR UNIT)



CODE	PART NAME
COMP	COMPRESSOR
COM CAP	COMPRESSOR CAPACITOR
FAN CAP	OUTDOOR FAN CAPACITOR
FAN	OUTDOOR FAN
XP1, XS1	CONNECTORS

ACI/AOU	Model ACI/AOU-35HPR1	<i>AlpicAir</i>
Cassette type split R410a	ELECTRICAL DRAWING	