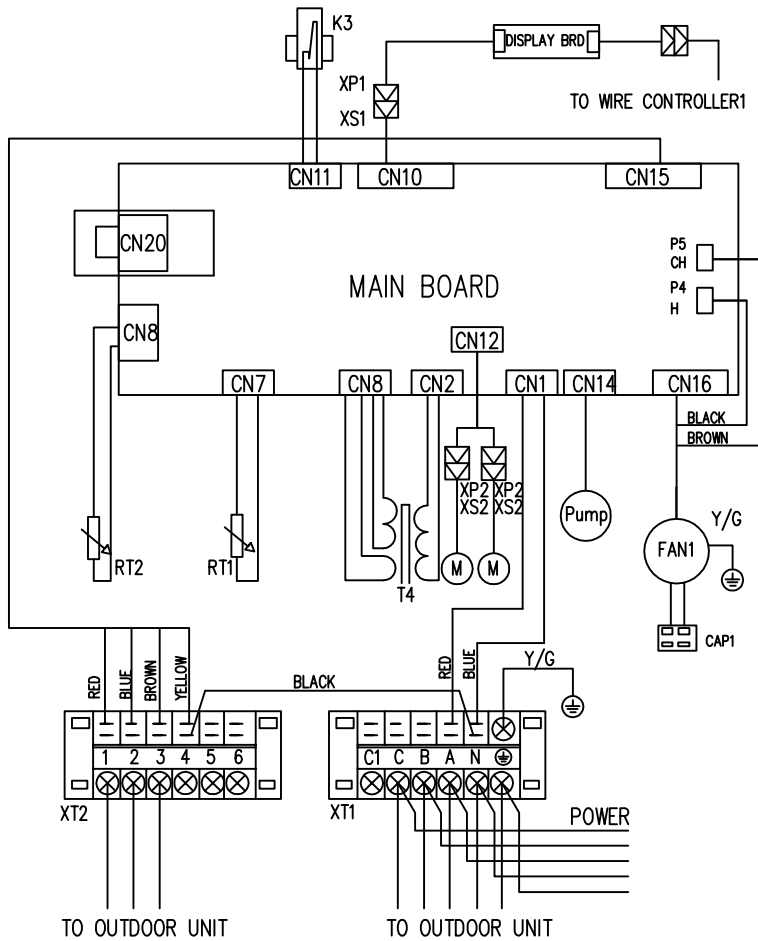
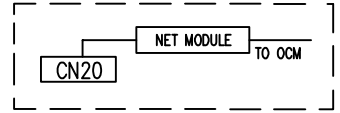


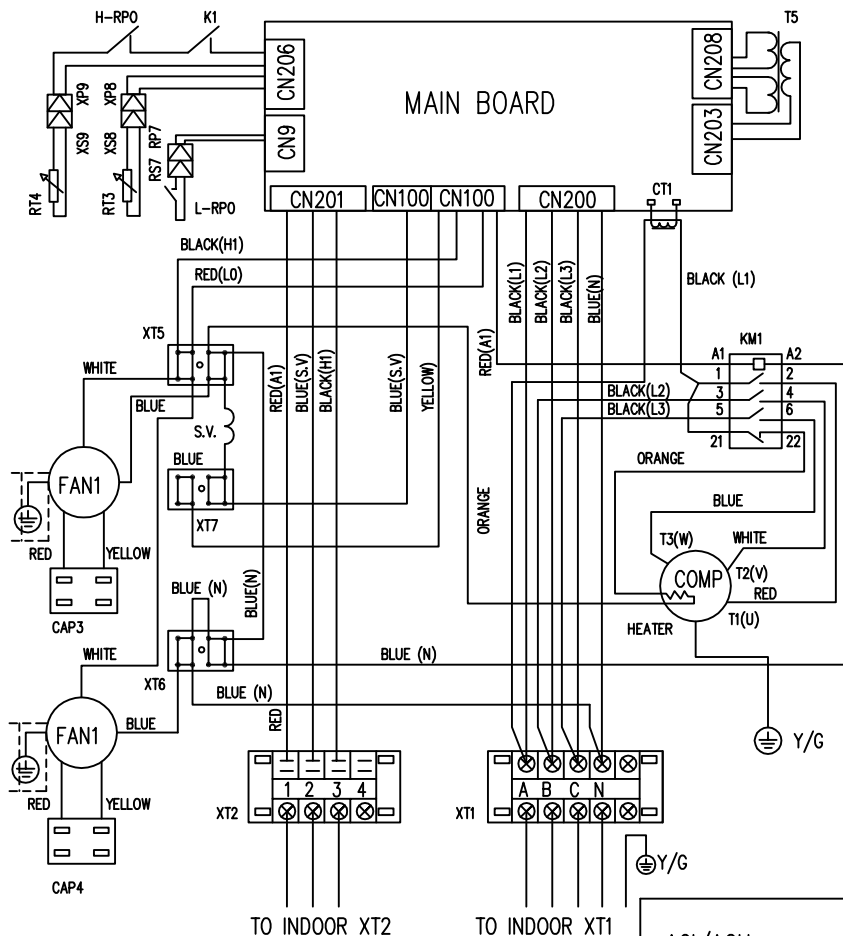
WIRING DIAGRAM (INDOOR UNIT)



CODE	PART NAME
CAP1	INDOOR FAN CAPACITOR
CN1-CN16	PCB SOCKETS
T4	POWER TRANSFORMER
FAN1	INDOOR FAN
K3	WATER LEVEL SWITCH
M	SWING MOTOR
PUMP	PUMP
RT2	PIPE TEMPERATURE SENSOR
RT1	ROOM TEMPERATURE SENSOR
XS 1-3	CONNECTORS
XS 1-3	CONNECTORS
XT1, XT3	6-WAY TERMINAL
CN20	NET CONTROL INTERFACE



WIRING DIAGRAM (OUTDOOR UNIT)



CODE	PART NAME
COMP	COMPRESSOR
FAN1,FAN2	OUTDOOR FAN
CAP3,CAP4	FAN CAPACITOR
S.V.	4-WAY VALVE
KM1	AC CONTACTOR
HEATER	CRANK
XT2	4-WAY TERMINAL
XT5-7	CONNECTORS
H/L-PRO	HIGH/LOW PRESSURE SWITCH
RT3	PIPE TEMP. SENSOR
XS 7-9	CONNECTORS
XP 7-9	CONNECTORS
CN100-208	PCB SOCKETS
K1	TEMP PROTECT SWITCH
RT4	ROOM TEMPERATURE SENSOR
XT1	5-WAY TERMINAL
T5	TRANSFORMER
CT1	CURRENT DETECTOR

ACI/AOU	Model ACI/AOU-140HPS3	AlpicAir
Cassette type split R410a	ELECTRICAL DRAWING	