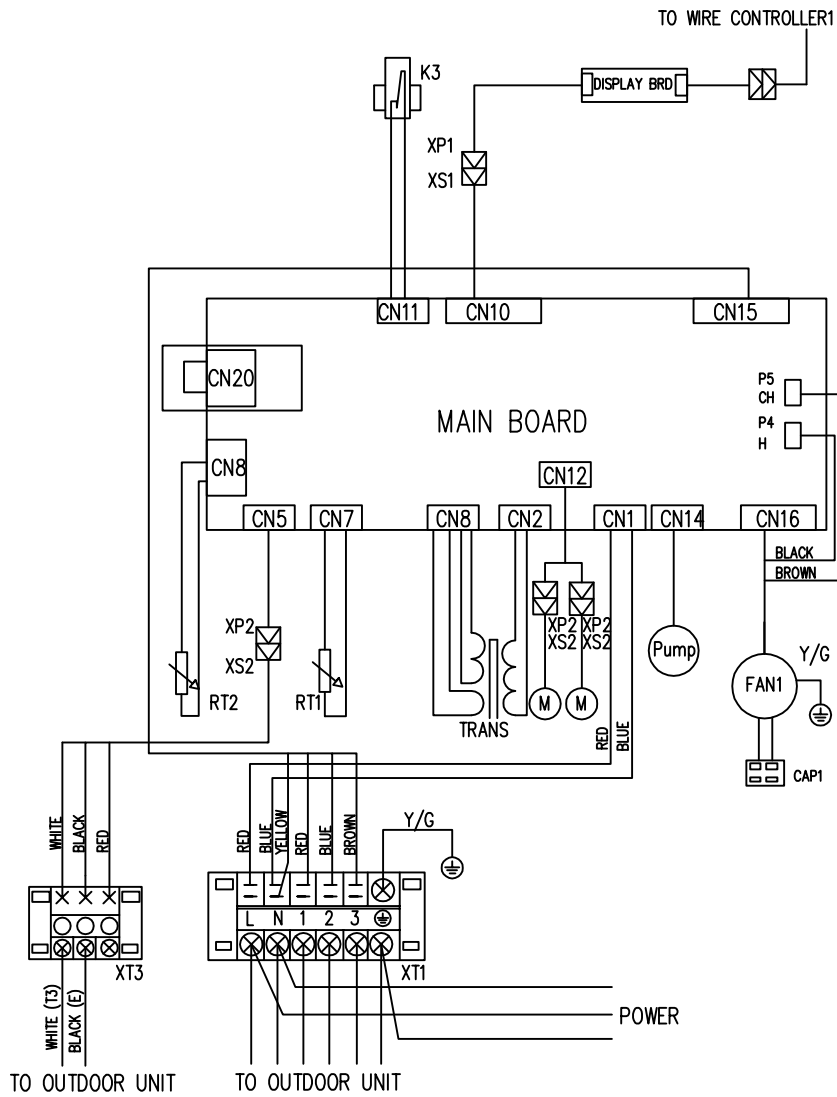
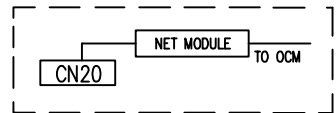


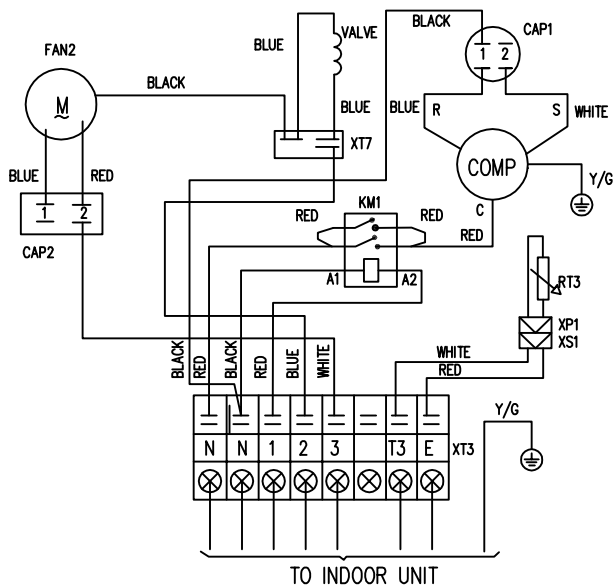
WIRING DIAGRAM (INDOOR UNIT)



CODE	PART NAME
CAP1	INDOOR FAN CAPACITOR
CN1-CN20	PCB SOCKETS
TRANS	POWER TRANSFORMER
FAN1	INDOOR FAN
K3	WATER LEVEL SWITCH
M	SWING MOTOR
PUMP	PUMP
RT1	ROOM TEMPERATURE SENSOR
RT2	PIPE TEMPERATURE SENSOR
XS 1-3	CONNECTORS
XS 1-3	CONNECTORS
XT1	6-WAY TERMINAL
XT3	3-WAY TERMINAL



WIRING DIAGRAM (OUTDOOR UNIT)



CODE	PART NAME
COMP	COMPRESSOR
CAP1	COMPRESSOR CAPACITOR
CAP2	OUTDOOR FAN CAPACITOR
FAN2	OUTDOOR FAN
XP1, XS1	CONNECTORS
XT3	8-WAY TERMINAL
XT7	MIDDLE TERMINAL
VALVE	REVERSING VALVE
RT3	PPE TEMPERATURE SENSOR
KM1	AC CONTACTOR

ACI/AOU	Model ACI/AOU-71HPR1	<i>AlpicAir</i>
Cassette type split R410a	ELECTRICAL DRAWING	